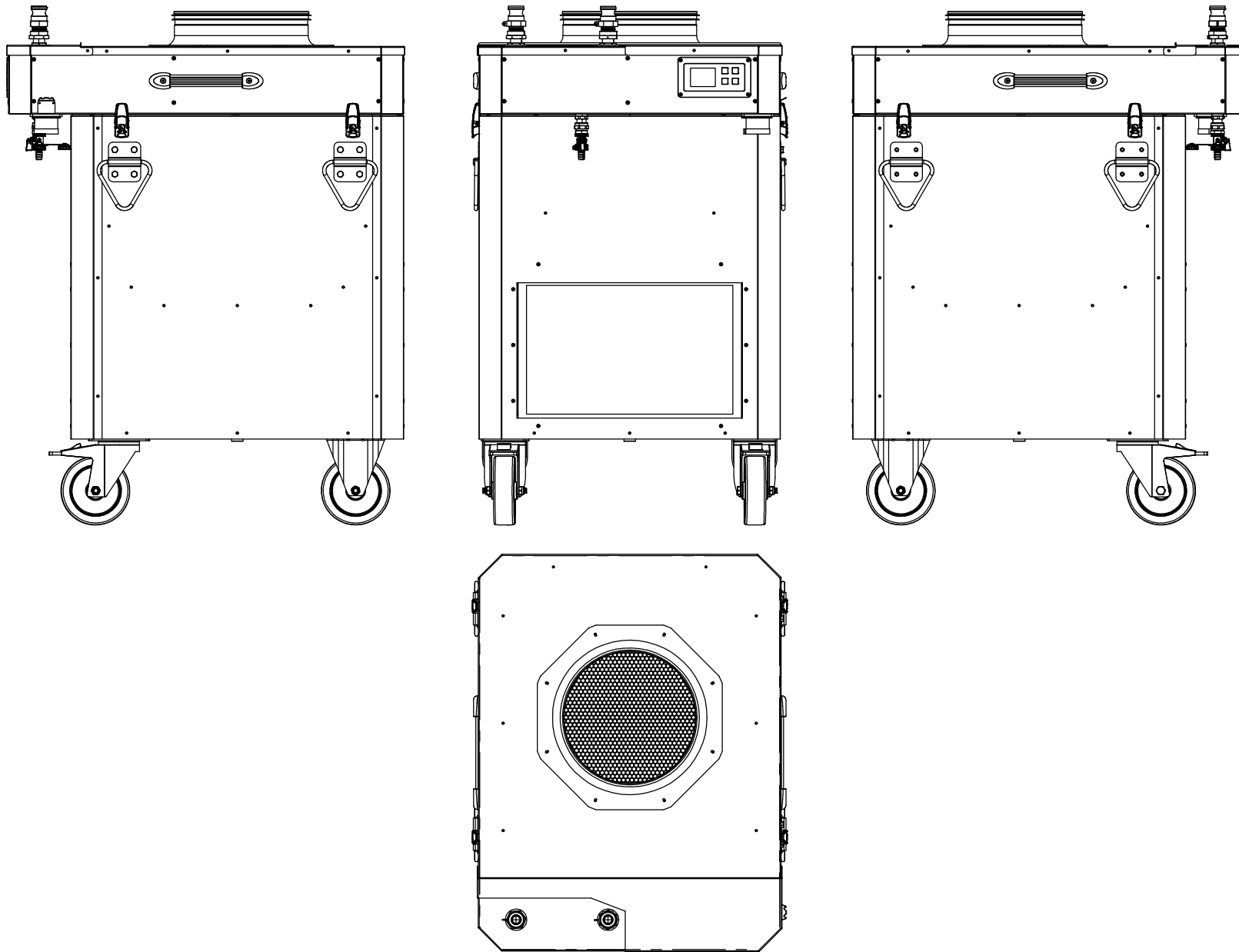


A B C D E F G H J K



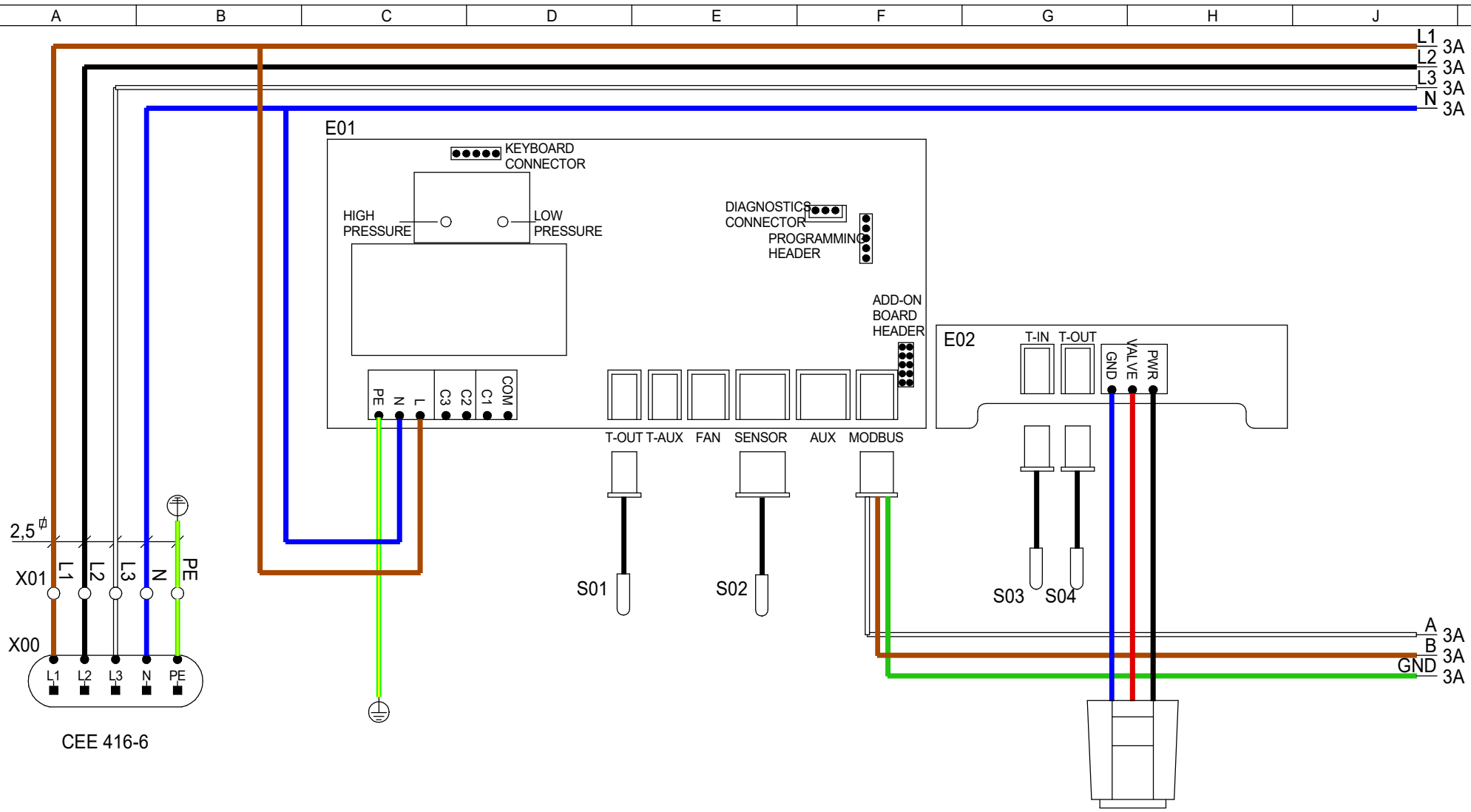
ARTIKELNR./ ARTICLE NO. EB14654			
MÄRKSTRÖM/ CURRENT RATING 16		A	
SPÄNNING/ VOLTAGE 400		V	
MEASURING EQUIPMENT			
CURR.- TRAFO- SPACE	ENERGY- METER- SPACE		
FAST ANSLUTNING/ FIXED CONNECTIONS			
<125A		>125A	
CEE-OUTLETS 3-POLE			
16A	32A	63A	125A
SCHUKO OUTLETS			
16A			
CEE-OUTLETS 4-POLE			
16A	32A	63A	125A
CEE-OUTLETS 5-POLE/400V			
16A	32A	63A	125A
JFB/RCD/RCBO			
0,01A	0,03A	0,1A	
JFB/RCD/RCBO			
0,3A	0,5A	Variable	
VIKT/WEIGHT			
kg			

This drawing is property of El-Björn. May not be copied, shown or distributed without our written permission.

TF 50HW EBC



RITAD AV/DRAWN BY CG	DATUM/DATE 200602	NEXT SHEET 2	SHEET 1
SIGN	REVISION/ISSUE A*	RITNING NR./DRAWING EB14654	



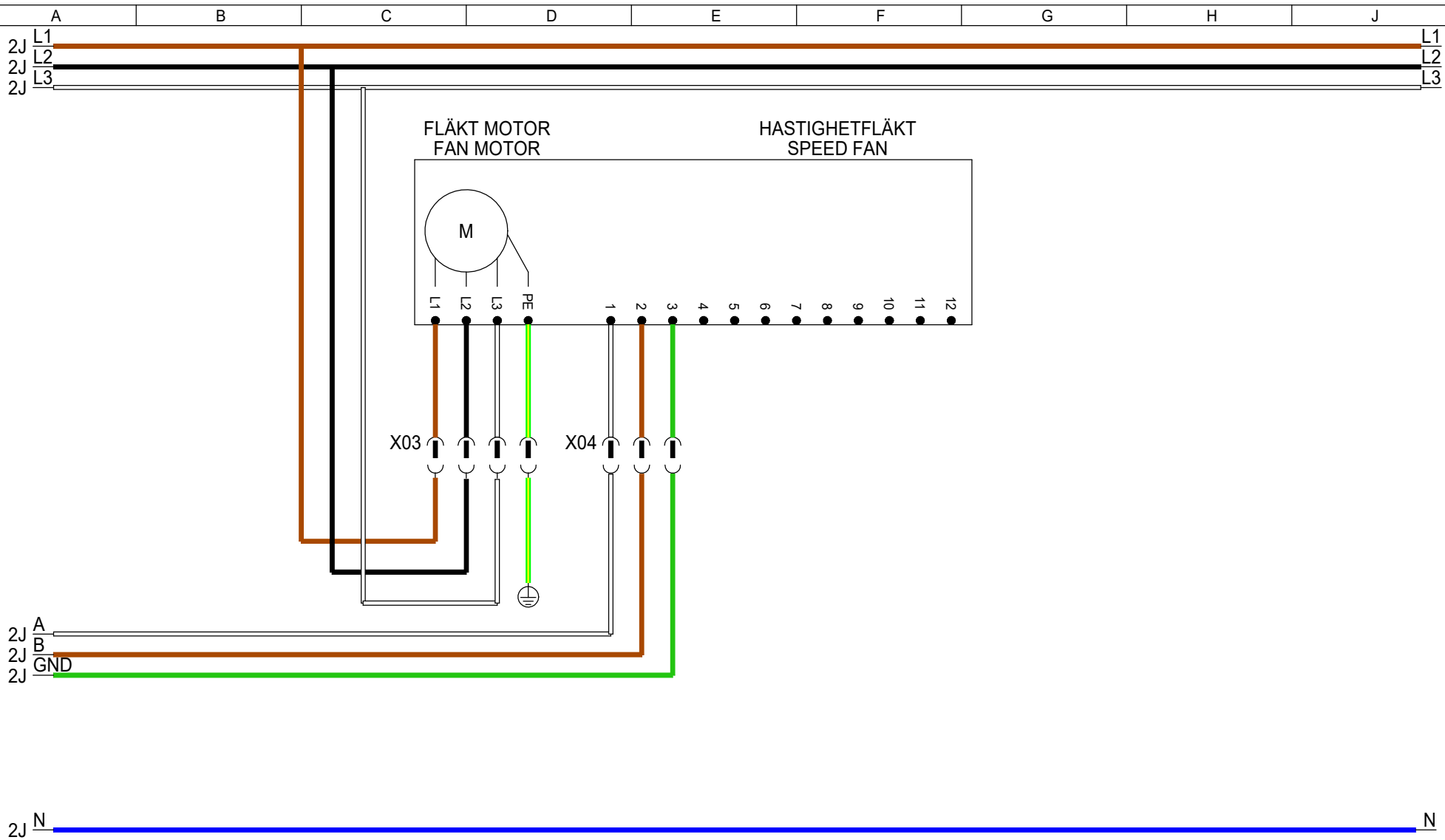
ARTIKELNR./ ARTICLE NO. EB14654			
MÄRKSTRÖM/ CURRENT RATING	16 A		
SPÄNNING/ VOLTAGE	400 V		
MEASURING EQUIPMENT			
CURR.- TRAFO- SPACE	ENERGY- METER- SPACE		
FAST ANSLUTNING/ FIXED CONNECTIONS			
<125A	>125A		
CEE-OUTLETS 3-POLE			
16A	32A	63A	125A
SCHUKO OUTLETS			
16A			
CEE-OUTLETS 4-POLE			
16A	32A	63A	125A
CEE-OUTLETS 5-POLE/400V			
16A	32A	63A	125A
JFB/RCD/RCBO		0,01A	
JFB/RCD/RCBO		0,03A	
JFB/RCD/RCBO		0,1A	
JFB/RCD/RCBO		0,3A	
JFB/RCD/RCBO		0,5A	
JFB/RCD/RCBO		Variable	
VIKT/WEIGHT			
kg			

This drawing is property of EI-Björn. May not be copied, shown or distributed without our written permission.

TF 50HW EBC



RITAD AV/DRAWN BY CG	DATUM/DATE 200602	NEXT SHEET 3	SHEET 2
SIGN	REVISION/ISSUE A*	RITNING NR./DRAWING EB14654	



ARTIKELNR./
ARTICLE NO.
EB14654

MÄRKSTRÖM/
CURRENT RATING
16 A

SPÄNNING/
VOLTAGE
400 V

MEASURING EQUIPMENT	
CURR.- TRAFO- SPACE	ENERGY- METER- SPACE

FAST ANSLUTNING/ FIXED CONNECTIONS	
<125A	>125A

CEE-OUTLETS 3-POLE			
16A	32A	63A	125A

SCHUKO OUTLETS			
16A			

CEE-OUTLETS 4-POLE			
16A	32A	63A	125A

CEE-OUTLETS 5-POLE/400V			
16A	32A	63A	125A

JFB/RCD/RCBO		
0,01A	0,03A	0,1A

JFB/RCD/RCBO		
0,3A	0,5A	Variable

VIKT/WEIGHT
kg

VIKT/WEIGHT
kg

RITAD AV/DRAWN BY	DATUM/DATE	NEXT SHEET	SHEET
CG	200602	4	3

SIGN	REVISION/ISSUE	RITNING NR./DRAWING
	A*	EB14654

This drawing is property of El-Björn. May not be copied, shown or distributed without our written permission.

TF 50HW EBC



RITAD AV/DRAWN BY
CG

REVISION/ISSUE
A*

NEXT SHEET
4

RITNING NR./DRAWING
EB14654

A	B	C	D	E	F	G	H	J	K
PC.	Position	Description	Type	Manufacturer	Data	Article No.	E-number(SE)		ARTIKELNR./ ARTICLE NO. EB14654
1	E01	CCU-modele		EI-Björn		279001			MÄRKSTRÖM/ CURRENT RATING 16 A
1	E02	CCU Addon board	Water machine	EI-Björn		279004			SPÄNNING/ VOLTAGE 400 V
3	S01, S03-S04	Sensor	Temperature	EI-Björn	850mm	279003			MEASURING EQUIPMENT
1	S02	Sensor probe	Temp/RH	EI-Björn		279009			CURR- TRAFO- SPACE
1	X00	Inlet	416BU6	ABB	16A, 400V, IP44	2CMA166360R1000	2417340		ENERGY- METER- SPACE
3	X01	Terminal	Grey	Schneider Electric	4mm ²	NSYTRV42	2916254		FAST ANSLUTNING/ FIXED CONNECTIONS
1		Terminal	Blue	Schneider Electric	4mm ²	NSYTRV42BL	2916255		<125A
1		Terminal	Yellow/Green	Schneider Electric	4mm ²	NSYTRV42PE	2916257		>125A
1	X03	Contact	4-Pol, Female	Wago		770-704/009-000			
1		Contact	4-Pol, Male	Wago		770-714			
1	X04	Contact	3-Pol, Female	Wago		770-703/009-000			
1		Contact	3-Pol, Male	Wago		770-713			
									CEE-OUTLETS 3-POLE 16A 32A 63A 125A
									SCHUKO OUTLETS 16A
									CEE-OUTLETS 4-POLE 16A 32A 63A 125A
									CEE-OUTLETS 5-POLE/400V 16A 32A 63A 125A
									JFB/RCD/RCBO 0,01A 0,03A 0,1A
									JFB/RCD/RCBO 0,3A 0,5A Variable
									VIKT/WEIGHT kg

This drawing is property of EI-Björn. May not be copied, shown or distributed without our written permission.

TF 50HW EBC



RITAD AV/DRAWN BY CG	DATUM/DATE 200602
SIGN	REVISION/ISSUE A*

NEXT SHEET	SHEET 4
RTNINGS NR./DRAWING EB14654	