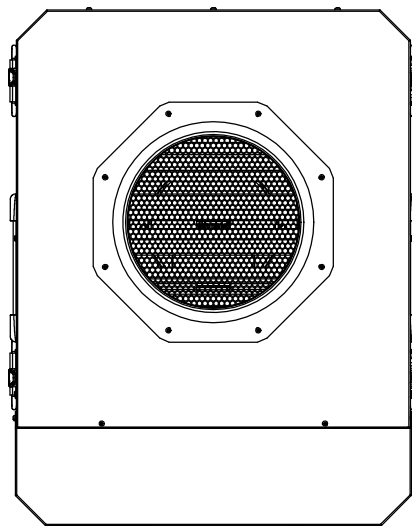
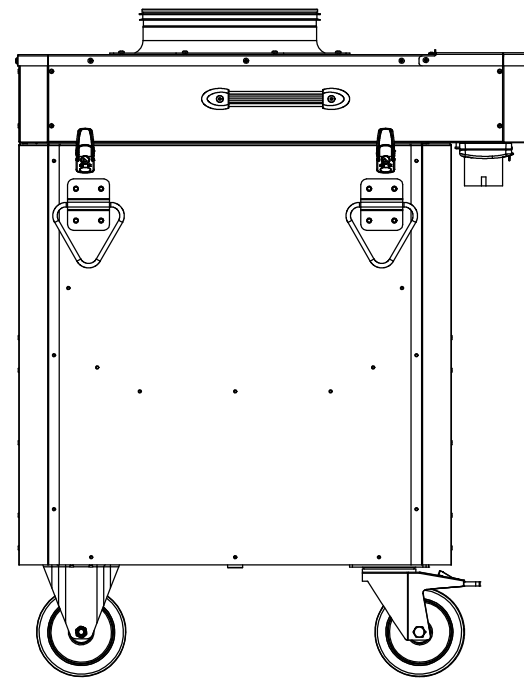
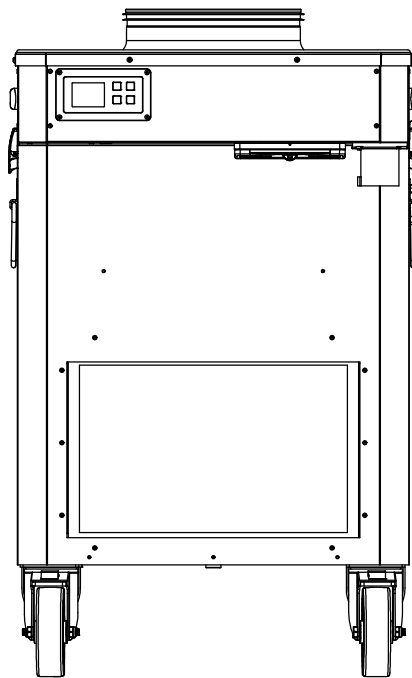
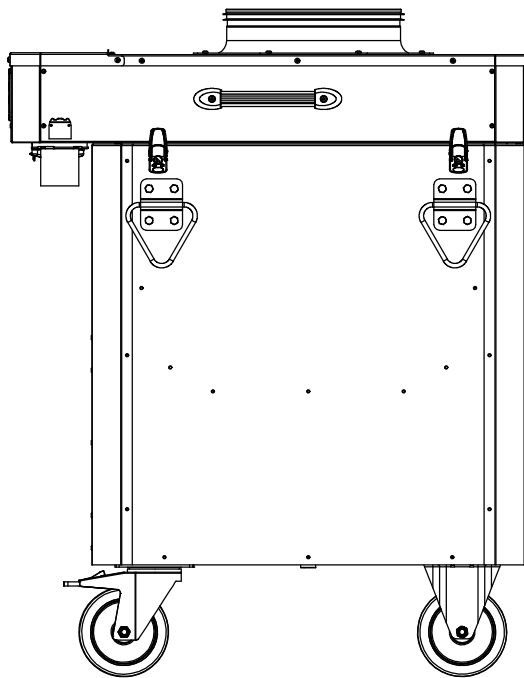


A B C D E F G H J K



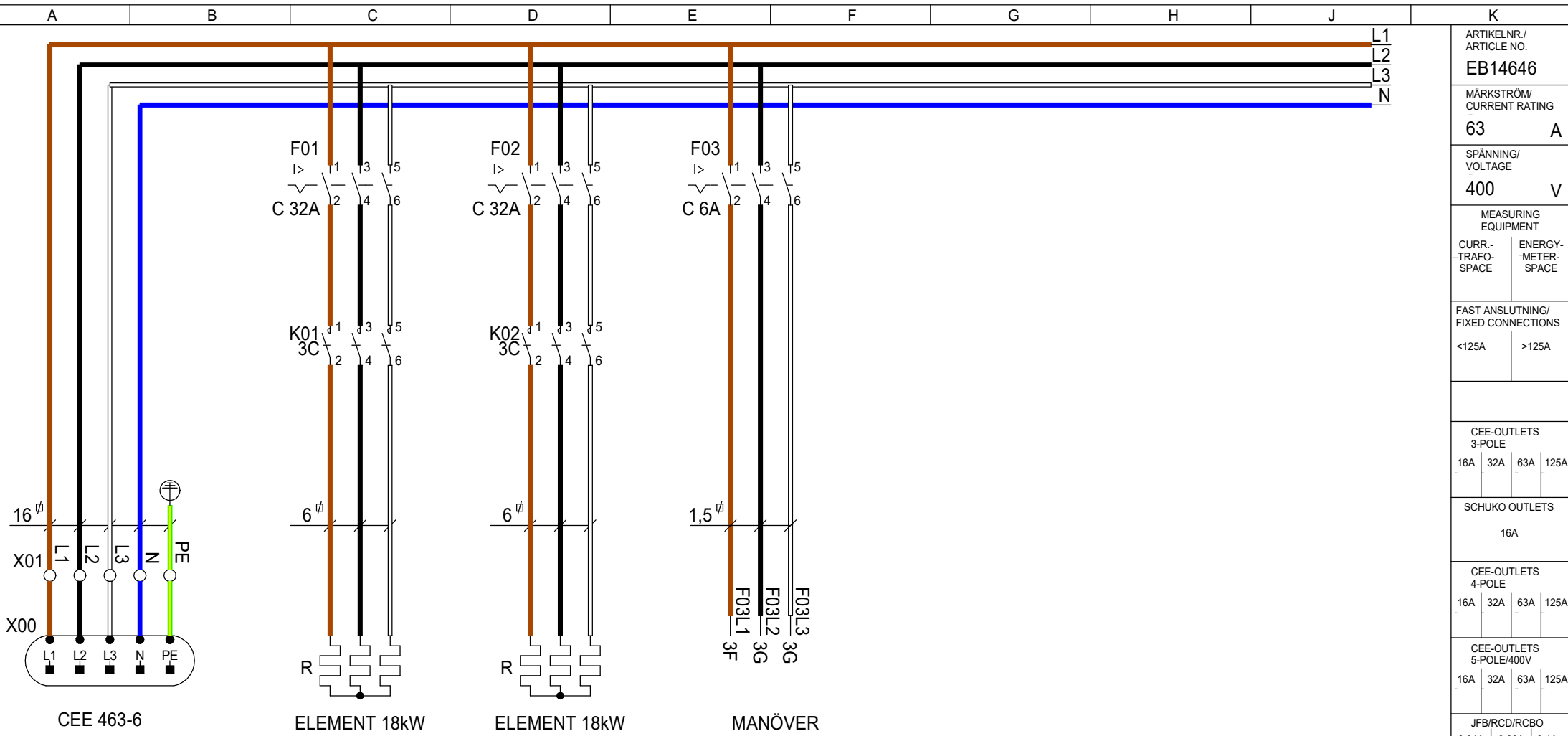
ARTIKELNR./ ARTICLE NO.		EB14646	
MÄRKSTRÖM/ CURRENT RATING		63	A
SPÄNNING/ VOLTAGE		400	V
MEASURING EQUIPMENT			
CURR.- TRAFO- SPACE	ENERGY- METER- SPACE		
FAST ANSLUTNING/ FIXED CONNECTIONS			
<125A		>125A	
CEE-OUTLETS 3-POLE			
16A	32A	63A	125A
SCHUKO OUTLETS			
16A			
CEE-OUTLETS 4-POLE			
16A	32A	63A	125A
CEE-OUTLETS 5-POLE/400V			
16A	32A	63A	125A
JFB/RCD/RCBO			
0,01A	0,03A	0,1A	
JFB/RCD/RCBO			
0,3A	0,5A	Variable	
VIKT/WEIGHT			
			kg

This drawing is property of El-Björn. May not be copied, shown or distributed without our written permission.

TF 36EL EBC



RITAD AV/DRAWN BY	DATUM/DATE	NEXT SHEET	SHEET
CG	200602	2	1
SIGN	REVISION/ISSUE	RITNING NR./DRAWING	
	A*	EB14646	



ARTIKELNR./ ARTICLE NO. EB14646			
MÄRKSTRÖM/ CURRENT RATING	63 A		
SPÄNNING/ VOLTAGE	400 V		
MEASURING EQUIPMENT			
CURR- TRAFO- SPACE	ENERGY- METER- SPACE		
FAST ANSLUTNING/ FIXED CONNECTIONS			
<125A	>125A		
CEE-OUTLETS 3-POLE			
16A	32A	63A	125A
SCHUKO OUTLETS			
16A			
CEE-OUTLETS 4-POLE			
16A	32A	63A	125A
CEE-OUTLETS 5-POLE/400V			
16A	32A	63A	125A
JFB/RCD/RCBO			
0,01A	0,03A	0,1A	
JFB/RCD/RCBO			
0,3A	0,5A	Variable	
VIKT/WEIGHT			
kg			

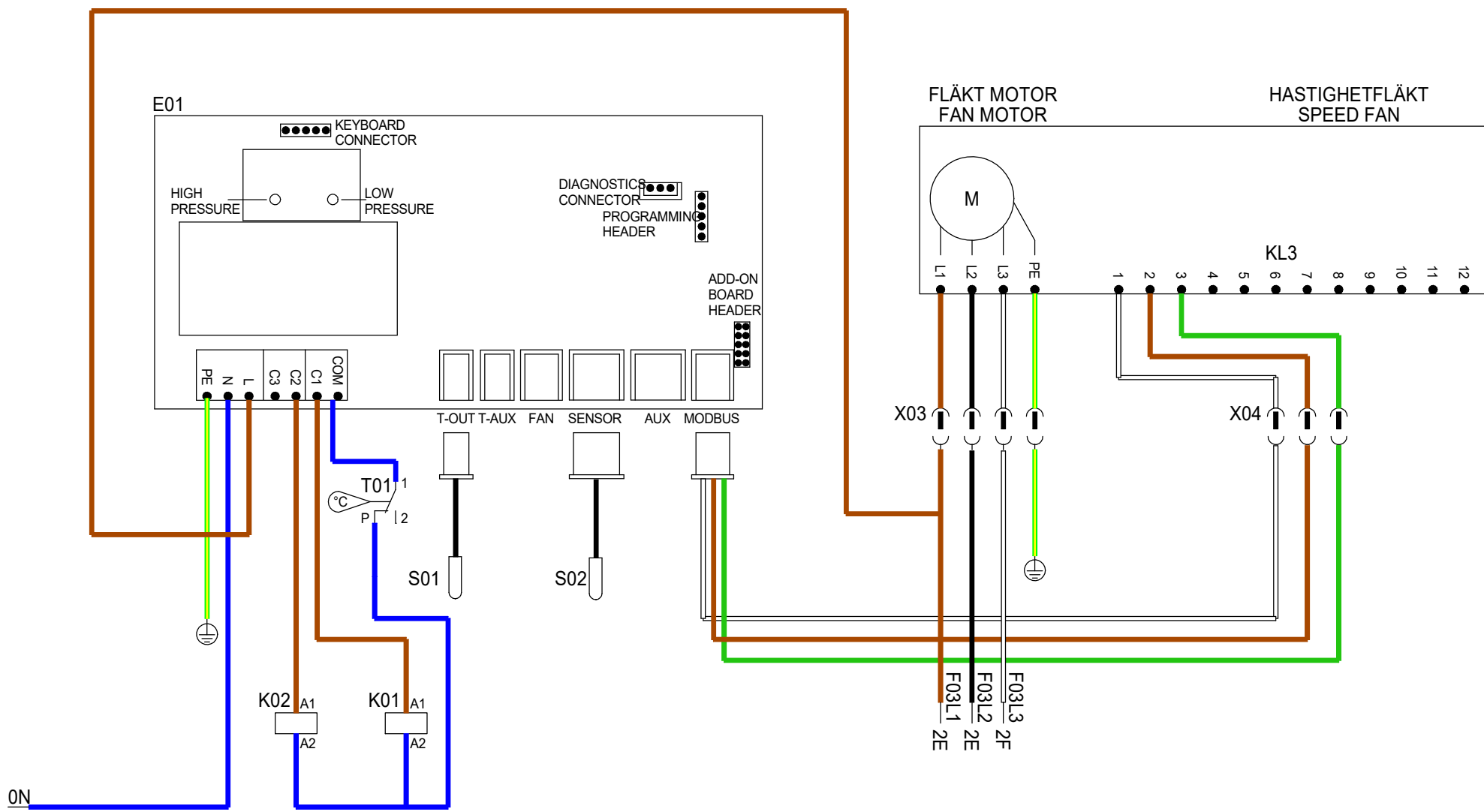
This drawing is property of El-Björn. May not be copied, shown or distributed without our written permission.

TF 36EL EBC



RITAD AV/DRAWN BY CG	DATUM/DATE 200602	NEXT SHEET 3	SHEET 2
SIGN	REVISION/ISSUE A*	RITNING NR./DRAWING EB14646	

A B C D E F G H J K



- 1-2 2D 1-2 2C
- 3-4 2D 3-4 2C
- 5-6 2D 5-6 2C
- 13-14 13-14
- 21-22 21-22

ARTIKELNR./ ARTICLE NO. EB14646	
MÄRKSTRÖM/ CURRENT RATING 63	A
SPÄNNING/ VOLTAGE 400	V
MEASURING EQUIPMENT	
CURR.- TRAFO- SPACE	ENERGY- METER- SPACE
FAST ANSLUTNING/ FIXED CONNECTIONS	
<125A	>125A
CEE-OUTLETS 3-POLE	
16A	32A 63A 125A
SCHUKO OUTLETS	
16A	
CEE-OUTLETS 4-POLE	
16A	32A 63A 125A
CEE-OUTLETS 5-POLE/400V	
16A	32A 63A 125A
JFB/RCD/RCBO 0,01A	0,03A 0,1A
JFB/RCD/RCBO 0,3A	0,5A Variable
VIKT/WEIGHT	
kg	

This drawing is property of El-Björn. May not be copied, shown or distributed without our written permission.

TF 36EL EBC



RITAD AV/DRAWN BY CG	DATUM/DATE 200602
SIGN	REVISION/ISSUE A*

NEXT SHEET 4	SHEET 3
RITNINGS NR./DRAWING EB14646	

A	B	C	D	E	F	G	H	J	K
PC.	Position	Description	Type	Manufacturer	Data	Article No.	E-number(SE)	ARTIKELNR./ ARTICLE NO. EB14646	
1	E01	CCU-modele		EI-Björn		279001		MÄRKSTRÖM/ CURRENT RATING 63 A	
2	F01-F02	MCB	iC60H 3P 10kA	Schneider Electric	C 32A	A9F07332	2112259	SPÄNNING/ VOLTAGE 400 V	
1	F03	MCB	iC60H 3P 10kA	Schneider Electric	C 6A	A9F07306	2112171	MEASURING EQUIPMENT	
2	K01-K02	Contactora	LC1D25P7	Schneider Electric	25A, 11kW	LC1D25P7	3233034	CURR- TRAFO- SPACE	ENERGY- METER- SPACE
6	R	Element		Backer	6000W / 230V	51853701		FAST ANSLUTNING/ FIXED CONNECTIONS <125A >125A	
1	S01	Sensor	Temperature	EI-Björn	850mm	279003		CEE-OUTLETS 3-POLE 16A 32A 63A 125A	
1	S02	Sensor probe	Temp/RH	EI-Björn		279009		SCHUKO OUTLETS 16A	
1	T01	Overheating protection	NT-4B2 CM/1	Comprimé Components	85°	269079		CEE-OUTLETS 4-POLE 16A 32A 63A 125A	
1	X00	Inlet	463BU6	ABB	63A, 400V, IP44	2CMA192668R1000	2417355	CEE-OUTLETS 5-POLE/400V 16A 32A 63A 125A	
3	X01	Terminal	Grey	Schneider Electric	16mm ²	NSYTRV162	2916245	JFB/RCD/RCBO 0,01A 0,03A 0,1A	
1		Terminal	Blue	Schneider Electric	16mm ²	NSYTRV162BL	2916246	JFB/RCD/RCBO 0,3A 0,5A Variable	
1		Terminal	Yellow/Green	Schneider Electric	16mm ²	NSYTRV162PE	2916247	VIKT/WEIGHT kg	
1		End cover		Schneider Electric		NSYTRAC162	2916048	NEXT SHEET SHEET 4	
1	X03	Contact	4-Pol, Female	Wago		770-704/009-000		RTNINGS NR./DRAWING EB14646	
1		Contact	4-Pol, Male	Wago		770-714			
1	X04	Contact	3-Pol, Male	Wago		770-713			
1		Contact	3-Pol, Female	Wago		770-703/009-000			

This drawing is property of EI-Björn. May not be copied, shown or distributed without our written permission.

TF 36EL EBC



RITAD AV/DRAWN BY CG	DATUM/DATE 200602	NEXT SHEET	SHEET 4
SIGN	REVISION/ISSUE A*	RTNINGS NR./DRAWING EB14646	