

A

B

C

D

E

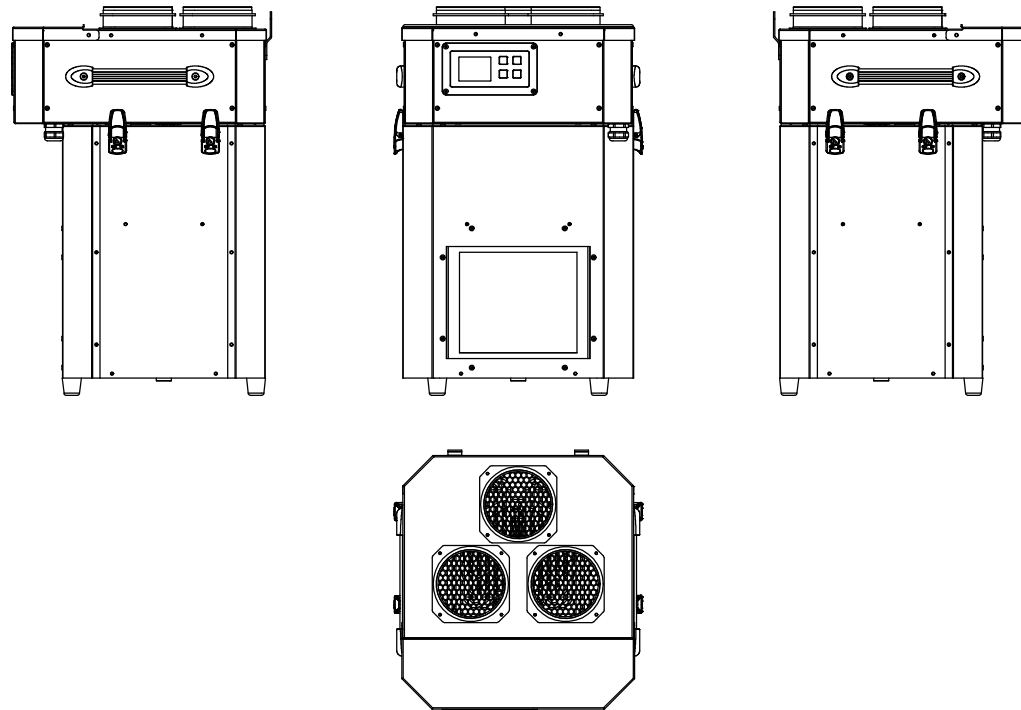
F

G

H

J

K



ARTIKELNR./

ARTICLE NO.

EB14640MÄRKSTRÖM/
CURRENT RATING**16** **A**SPÄNNING/
VOLTAGE**400** **V**MEASURING
EQUIPMENTCURR.-
TRAFO-
SPACEENERGY-
METER-
SPACEFAST ANSLUTNING/
FIXED CONNECTIONS

<125A

>125A

CEE-OUTLETS
3-POLE

16A

32A

63A

125A

SCHUKO OUTLETS

16A

CEE-OUTLETS
4-POLE

16A

32A

63A

125A

CEE-OUTLETS
5-POLE/400V

16A

32A

63A

125A

JFB/RCD/RCBO

0,01A

0,03A

0,1A

JFB/RCD/RCBO

0,3A

0,5A

Variable

VIKT/WEIGHT

kg

This drawing is property of El-Björn. May not be copied, shown or distributed without our written permission.

TF 9EL EBC

EL-BJÖRN 
www.elbjorn.com

RITAD AV/DRAWN BY

CG

DATUM/DATE

200601

SIGN

REVISION/ISSUE

A*

NEXT SHEET

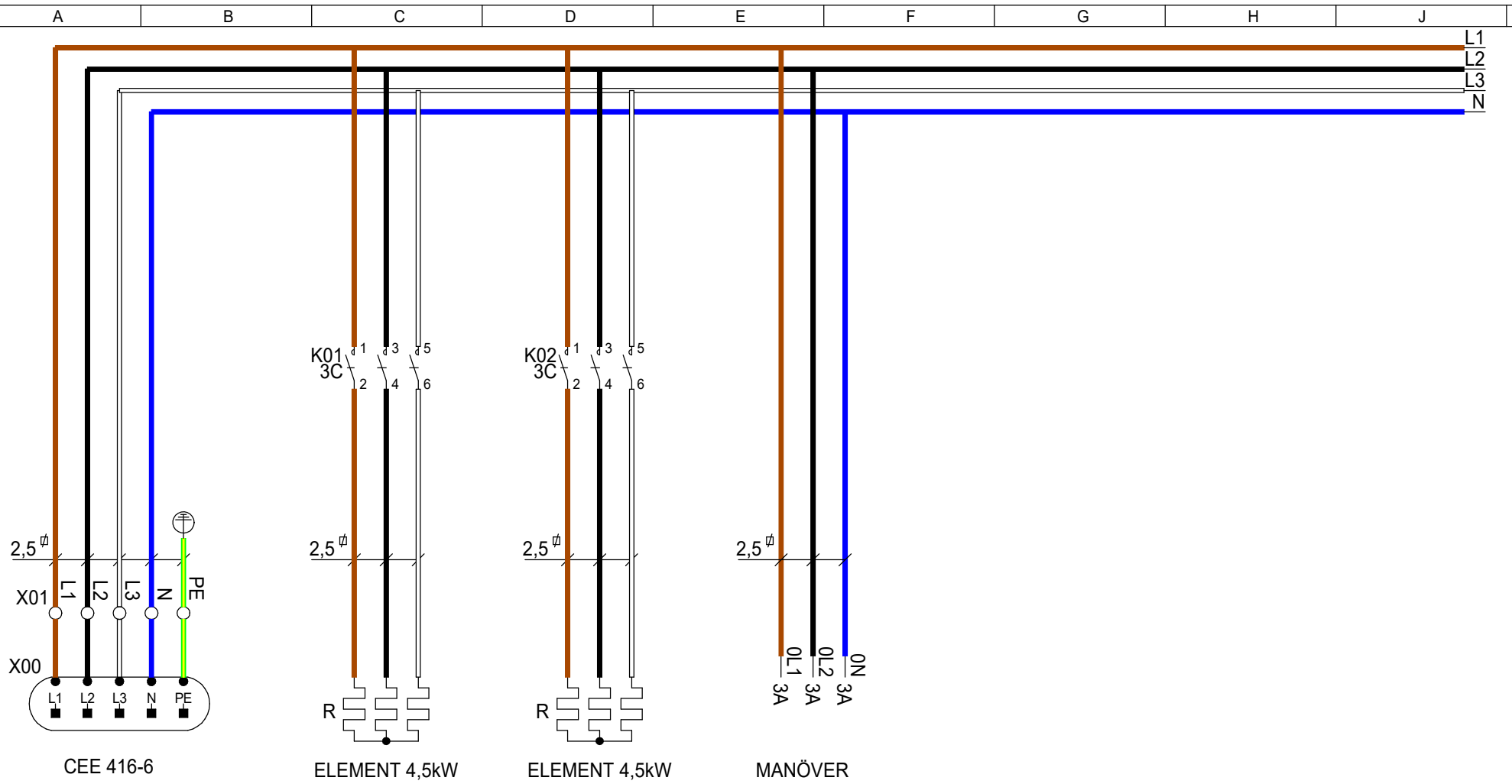
2

SHEET

1

RITNING NR./DRAWING

EB14640



CEE 416-6

ELEMENT 4,5kW

ELEMENT 4,5kW

MANÖVER

ARTIKELNR./ ARTICLE NO. EB14640				
MÄRKSTRÖM/ CURRENT RATING	16 A			
SPÄNNING/ VOLTAGE	400 V			
MEASURING EQUIPMENT				
CURR.- TRAFO- SPACE	ENERGY- METER- SPACE			
FAST ANSLUTNING/ FIXED CONNECTIONS				
<125A	>125A			
CEE-OUTLETS 3-POLE				
16A	32A	63A	125A	
SCHUKO OUTLETS				
16A				
CEE-OUTLETS 4-POLE				
16A	32A	63A	125A	
CEE-OUTLETS 5-POLE/400V				
16A	32A	63A	125A	
JFB/RCD/RCBO		0,01A	0,03A	0,1A
JFB/RCD/RCBO		0,3A	0,5A	Variable
VIKT/WEIGHT				
kg				

This drawing is property of El-Björn. May not be copied, shown or distributed without our written permission.

TF 9EL EBC



RITAD AV/DRAWN BY
CG

DATUM/DATE
200601

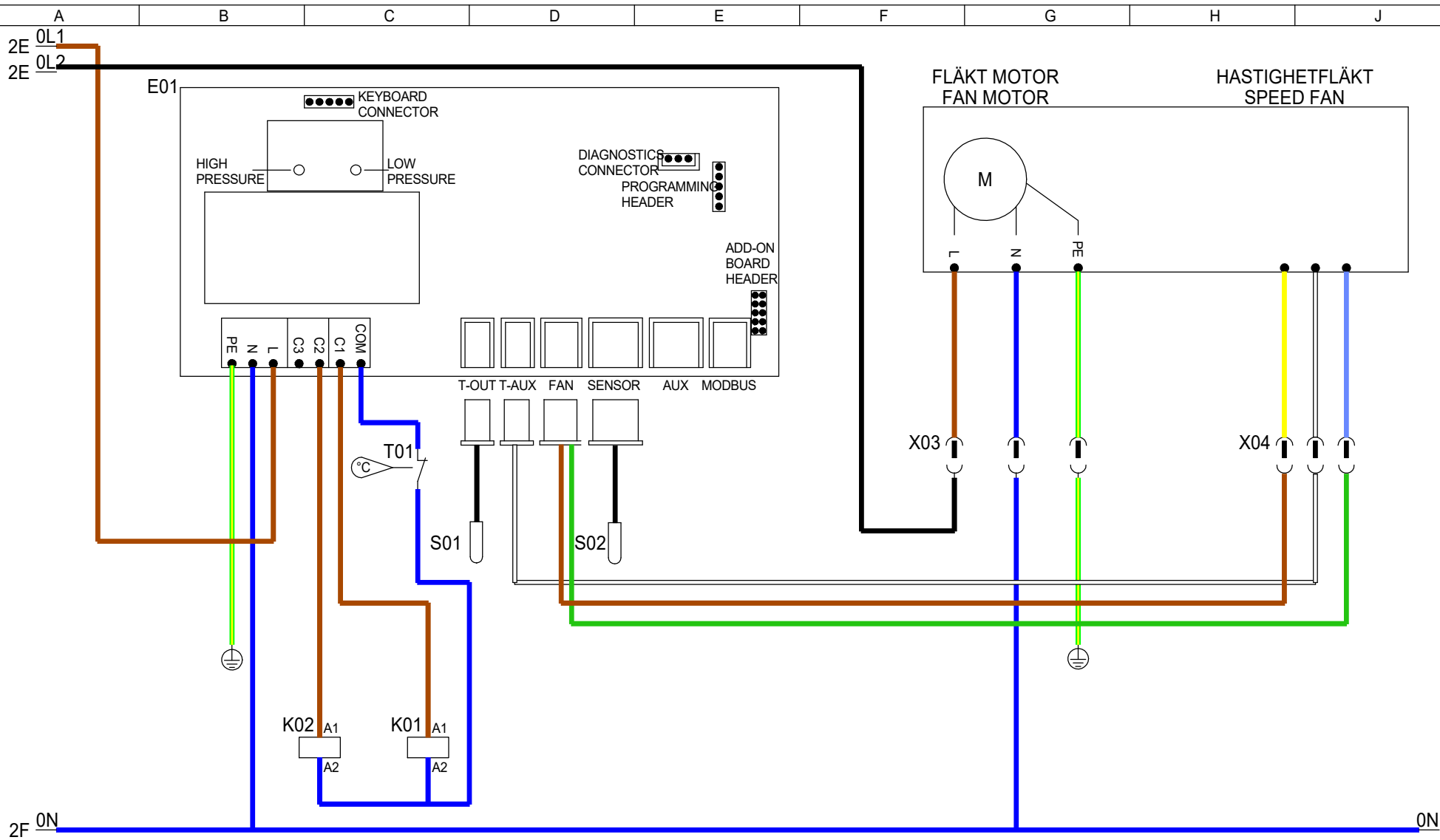
SIGN

REVISION/ISSUE
A*

NEXT SHEET
3

SHEET
2

RITNING NR./DRAWING
EB14640



2E OL1
2E OL2
E01
HIGH PRESSURE
LOW PRESSURE
KEYBOARD CONNECTOR
DIAGNOSTICS CONNECTOR
PROGRAMMING HEADER
ADD-ON BOARD HEADER
PE N L C3 C2 C1 COM
T-OUT T-AUX FAN SENSOR AUX MODBUS
T01
S01
S02
K02 A1 A2
K01 A1 A2
2F ON
ON

- 1-2 2D 1-2 2C
- 3-4 2D 3-4 2C
- 5-6 2D 5-6 2C
- 13-14 13-14
- 21-22 21-22

ARTIKELNR./ ARTICLE NO. EB14640			
MÄRKSTRÖM/ CURRENT RATING	16 A		
SPÄNNING/ VOLTAGE	400 V		
MEASURING EQUIPMENT			
CURR.- TRAFO- SPACE	ENERGY- METER- SPACE		
FAST ANSLUTNING/ FIXED CONNECTIONS			
<125A	>125A		
CEE-OUTLETS 3-POLE			
16A	32A	63A	125A
SCHUKO OUTLETS			
16A			
CEE-OUTLETS 4-POLE			
16A	32A	63A	125A
CEE-OUTLETS 5-POLE/400V			
16A	32A	63A	125A
JFB/RCD/RCBO			
0,01A	0,03A	0,1A	
JFB/RCD/RCBO			
0,3A	0,5A	Variable	
VIKT/WEIGHT			
kg			

This drawing is property of El-Björn. May not be copied, shown or distributed without our written permission.

TF 9EL EBC



RITAD AV/DRAWN BY CG	DATUM/DATE 200601	NEXT SHEET 4	SHEET 3
SIGN	REVISION/ISSUE A*	RITNING NR./DRAWING EB14640	

A	B	C	D	E	F	G	H	J	K
PC.	Position	Description	Type	Manufacturer	Data	Article No.	E-number(SE)	ARTIKELNR./ ARTICLE NO. EB14640	
1	E01	CCU-modele		El-Björn		279001		MÄRKSTRÖM/ CURRENT RATING 16 A	
2	K01-K02	Contactora	LC1D09P7	Schneider Electric	9A, 4kW	LC1D09P7	3233004	SPÄNNING/ VOLTAGE 400 V	
6	R	Element		Backer	1500W / 230V	20459001000		MEASURING EQUIPMENT	
1	S01	Sensor	Temperature	El-Björn	850mm	279003		CURR- TRAFO- SPACE	
1	S02	Sensor probe	Temp/RH	El-Björn		279009		ENERGY- METER- SPACE	
1	T01	Overheating Protection		Klixon	50° C	L830100		FAST ANSLUTNING/ FIXED CONNECTIONS <125A >125A	
1	X00	Plug	416EP6	ABB	16A, 400V, IP44	2CMA101967R1000	2416170	CEE-OUTLETS 3-POLE 16A 32A 63A 125A	
3	X01	Terminal	Grey	Schneider Electric	4mm ²	NSYTRV42	2916254	SCHUKO OUTLETS 16A	
1		Terminal	Blue	Schneider Electric	4mm ²	NSYTRV42BL	2916255	CEE-OUTLETS 4-POLE 16A 32A 63A 125A	
1		Terminal	Yellow/Green	Schneider Electric	4mm ²	NSYTRV42PE	2916257	CEE-OUTLETS 5-POLE/400V 16A 32A 63A 125A	
2	X03-X04	Contact	3-Pol, Female	Wago		770-703/009-000		JFB/RCD/RCBO 0,01A 0,03A 0,1A	
2		Contact	3-Pol, Male	Wago		770-713		JFB/RCD/RCBO 0,3A 0,5A Variable	
								VIKT/WEIGHT kg	

This drawing is property of El-Björn. May not be copied, shown or distributed without our written permission.

TF 9EL EBC



RITAD AV/DRAWN BY
CG

DATUM/DATE
200601

SIGN

REVISION/ISSUE
A*

NEXT SHEET

SHEET
4

RITNING NR./DRAWING
EB14640